

Type:

Model:



305070 305071 305116 305118



305078 305079 305117 305119

BI-PINS

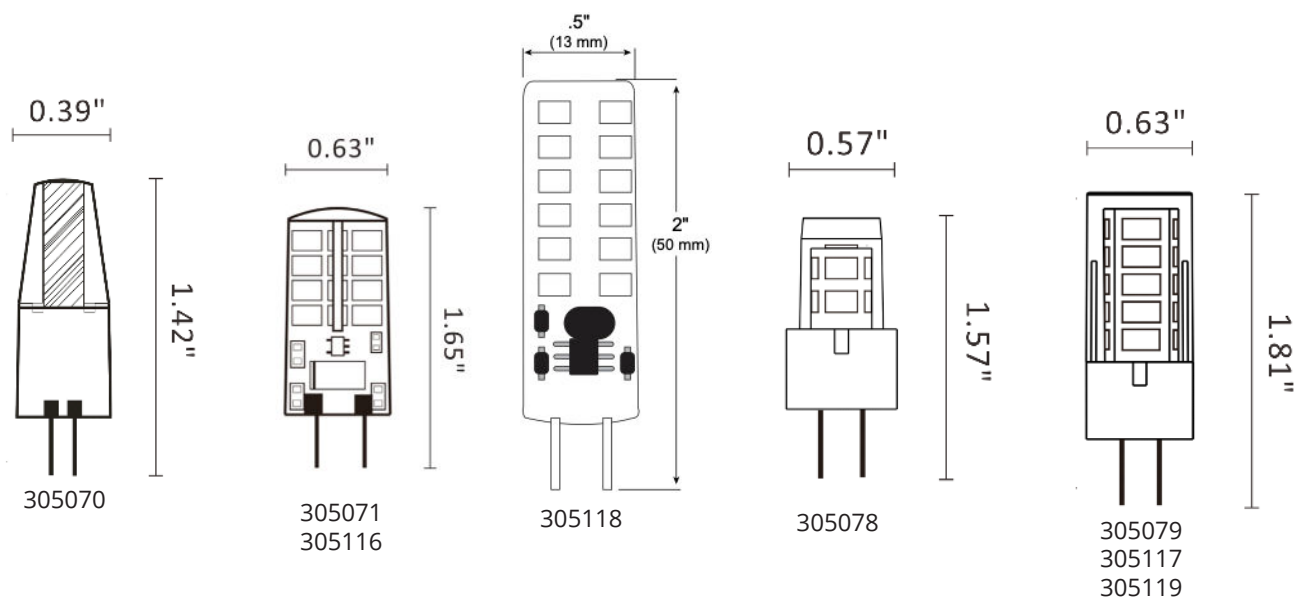
Encapsulated LED Lamps

- 9-17V
- G4 or GY.6.35 base
- Dimmable with most magnetic transformers
- Fully potted PC board
- CRI 85+
- IP65 rated
- ELT & FCC compliant



IP65

DIMENSIONS



Product #	Description	Wattage	Color Temp.	Lumens	Base
305070-2700K	Silicone Covered BiPin	2W	2700K	180 lm	G4
305070-3000K	Silicone Covered BiPin	2W	3000K	180 lm	G4
305071-2700K	Silicone Covered BiPin	3W	2700K	270 lm	G4
305071-3000K	Silicone Covered BiPin	3W	3000K	270 lm	G4
305116-2700K	Silicone Covered BiPin	4W	2700K	360 lm	G4
305116-3000K	Silicone Covered BiPin	4W	3000K	360 lm	G4
305118-2700K	Silicone Covered BiPin	4W	2700K	360 lm	GY.6.35
305118-3000K	Silicone Covered BiPin	4W	3000K	360 lm	GY.6.35
305078-2700K	Ceramic Base w/ Plastic Cover	2W	2700K	180 lm	G4
305078-3000K	Ceramic Base w/ Plastic Cover	2W	3000K	180 lm	G4
305079-2700K	Ceramic Base w/ Plastic Cover	3W	2700K	270 lm	G4
305079-3000K	Ceramic Base w/ Plastic Cover	3W	3000K	270 lm	G4
305117-2700K	Ceramic Base w/ Plastic Cover	4W	2700K	400 lm	G4
305117-3000K	Ceramic Base w/ Plastic Cover	4W	3000K	400 lm	G4
305119-2700K	Ceramic Base w/ Plastic Cover	5W	2700K	550 lm	GY.6.35
305119-3000K	Ceramic Base w/ Plastic Cover	5W	3000K	550 lm	GY.6.35